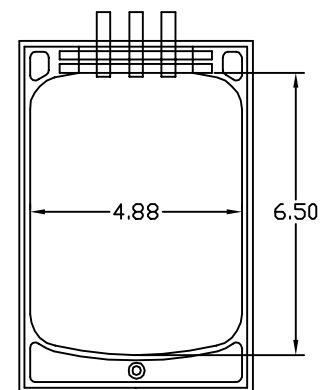


EACH FINISHED CTC-1768 WILL BE PACKED IN A 4 MIL. POLY BAG. TEN INDIVIDUAL PACKED PRODUCTS WILL BE PACKED IN A 4 MIL. POLY BAG. THREE OF THE TEN PACKS WILL BE BOXED AND IRRADIATED.

TUBING TOLERANCES: > 84 IN. ±2.00'
 > 60 TO 84 IN. ±1.00'
 12 TO 60 IN. ±0.50'
 < 12 IN. ±0.25'

USE ALCOHOL ONLY AT CN-01062 AND ALL CONNECTIONS ON FILL LINE.

INSTALL CL-01009 CABLE TIE AT CN-01057 CONNECTIONS.
 USE CYCLOHEXANONE AT CN-01292 CONNECTIONS.



BILL OF MATERIALS		*NOT SHOWN IN DRAWING	
PART#	Q.P.A.	DESCRIPTION	
S4162	1.00	250 ML 3 TUBE BAG (PLATINUM ULTRAPAK FILM)	
S4174	1.00	250 ML BAG NO TUBES (PLATINUM ULTRAPAK FILM)	
C-173	1.00	CLAM	
TB-01095/TB-01140	0.50 FT.	0.235" I.D. X 0.312" O.D. EVA TUBE	
S1057	1.00	TB-01163 RF SEAL ONE END, COIL AND SECURE WITH PK-01015	
TB-01163	3.00 FT.	0.118" I.D. X 0.164" O.D. PVC TUBING RF SEALED ONE END	
PK-01015	A/R	ADHESIVE TAPE, 1/2" WIDE	
TB-01129	1.34 FT.	3/8" I.D. X 1/2" O.D. PVC TUBING	
CN-01057	1.00	MALE MPC CONNECTOR WITH 3/8" BARB	
CN-01062	1.00	3/16" X 1/8" REDUCER	
CN-01292	1.00	PVC SPIKE PORT	
CN-01351	1.00	3/8" X 1/4" REDUCER	
CP-01068	1.00	FEMALE MPC CAP	
CL-01016	1.00	LARGE SLIDE CLAMP	

Lonza Walkersville, Inc.
 8830 Biggs Ford Road
 Walkersville, MD 21793
 Phone 301.898.7025

CUSTOMER		APPROVALS	DATE
Lonza Walkersville, Inc.		JWP	09/23/08
8830 Biggs Ford Road		PROD.	
Walkersville, MD 21793		CUSTOMER	
Phone 301.898.7025		MARKETING	
		Engineering	

REV DATE	DESCRIPTION
A 04/17/08	INITIAL RELEASE.
B 9/23/08	ADDED ONE CL-01016, ONE CN-01057, ONE CP-01020, 16 IN. OF TB-01129, ADDED PACKAGING NOTES.